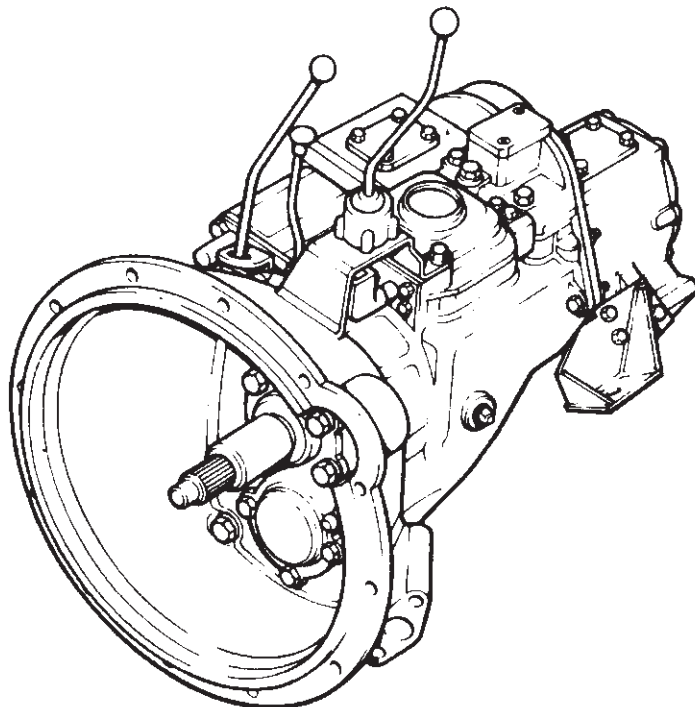


GROUP D
GEARBOX ASSEMBLY Except 109 V8



Gearbox Assemblies. New.

2½ Litre Petrol and Diesel Except 1 Ton RTC2705N

2.6 Litre Petrol Except 1 Ton FRC 2001N

109 2½ Litre Petrol 1 Ton FRC 2003N. Optional on all other models.

109 2.6 Litre Petrol 1 Ton FRC 2002N. Optional on all other models.

Gearbox Assemblies. Rebuilt.

2½ Litre Petrol and Diesel Except 1 Ton Gearbox suffix 'A' 576730R

2½ Litre Petrol and Diesel Except 1 Ton Gearbox suffix 'B' to 'C' FRC 2000R

2.6 Litre Petrol Except 1 Ton Gearbox suffix 'A' 576761R

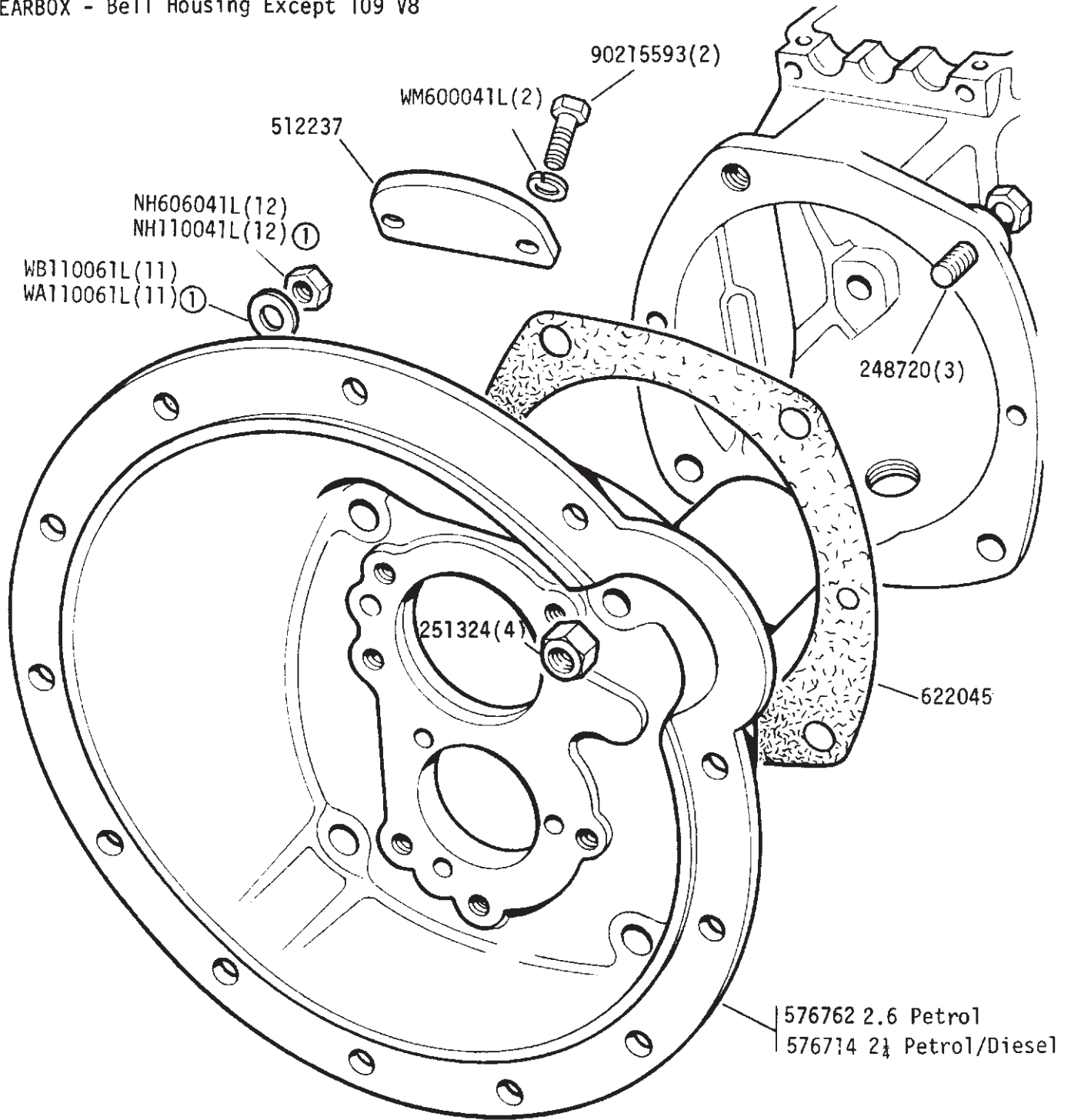
2.6 Litre Petrol Except 1 Ton Gearbox suffix 'B' onwards FRC 2001R 'D' onwards RTC2705R

Gearbox assembly less Transfer box for 2½ petrol and diesel RTC1945

Gearbox Gasket Kit 600603

GROUP D

GEARBOX - Bell Housing Except 109 V8



① From engine numbers 36123672B, 36407386B and 36619420B

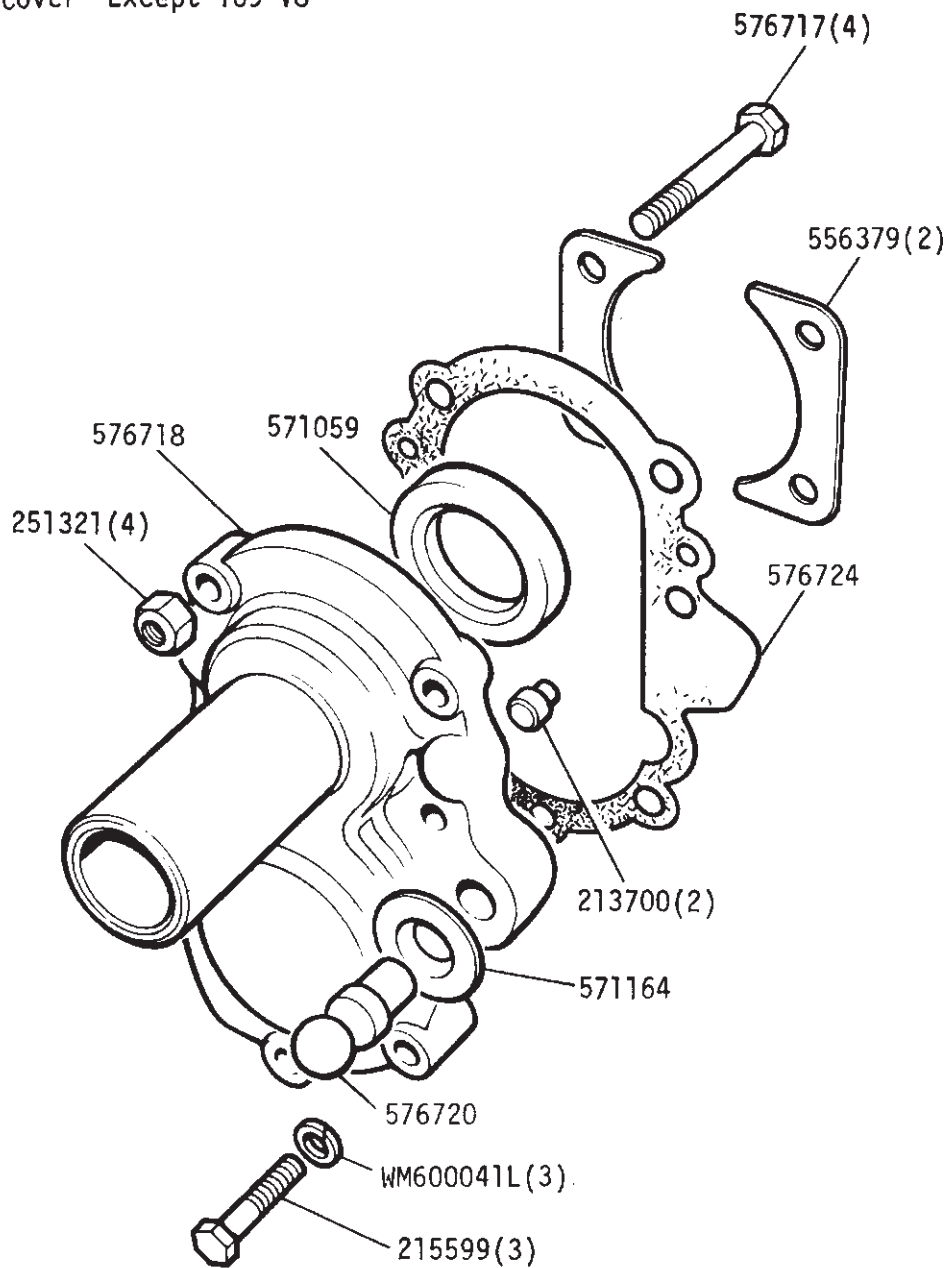


LAND ROVER

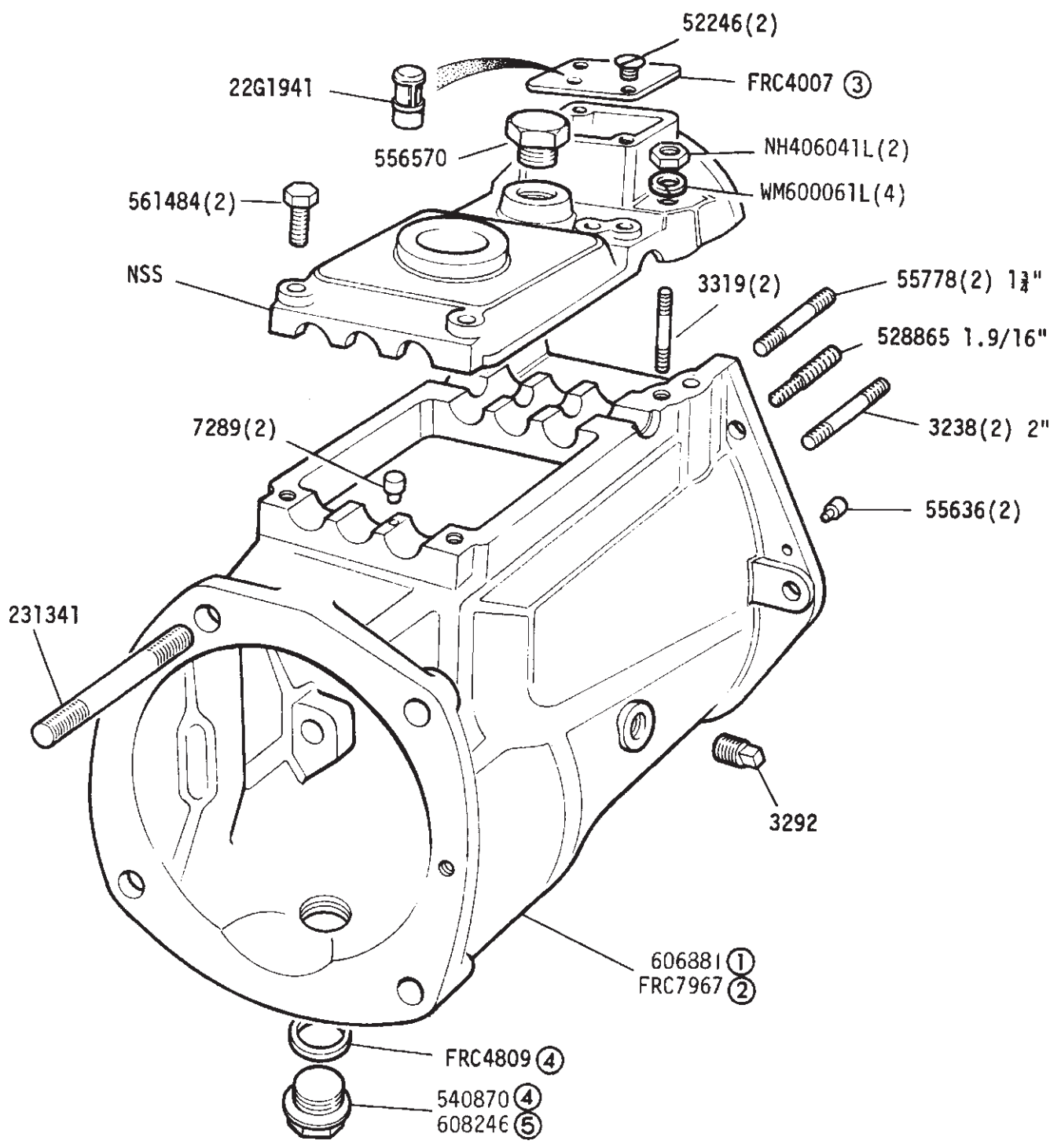
1H 02

1RE 110

GROUP D
GEARBOX - Front Cover Except 109 V8

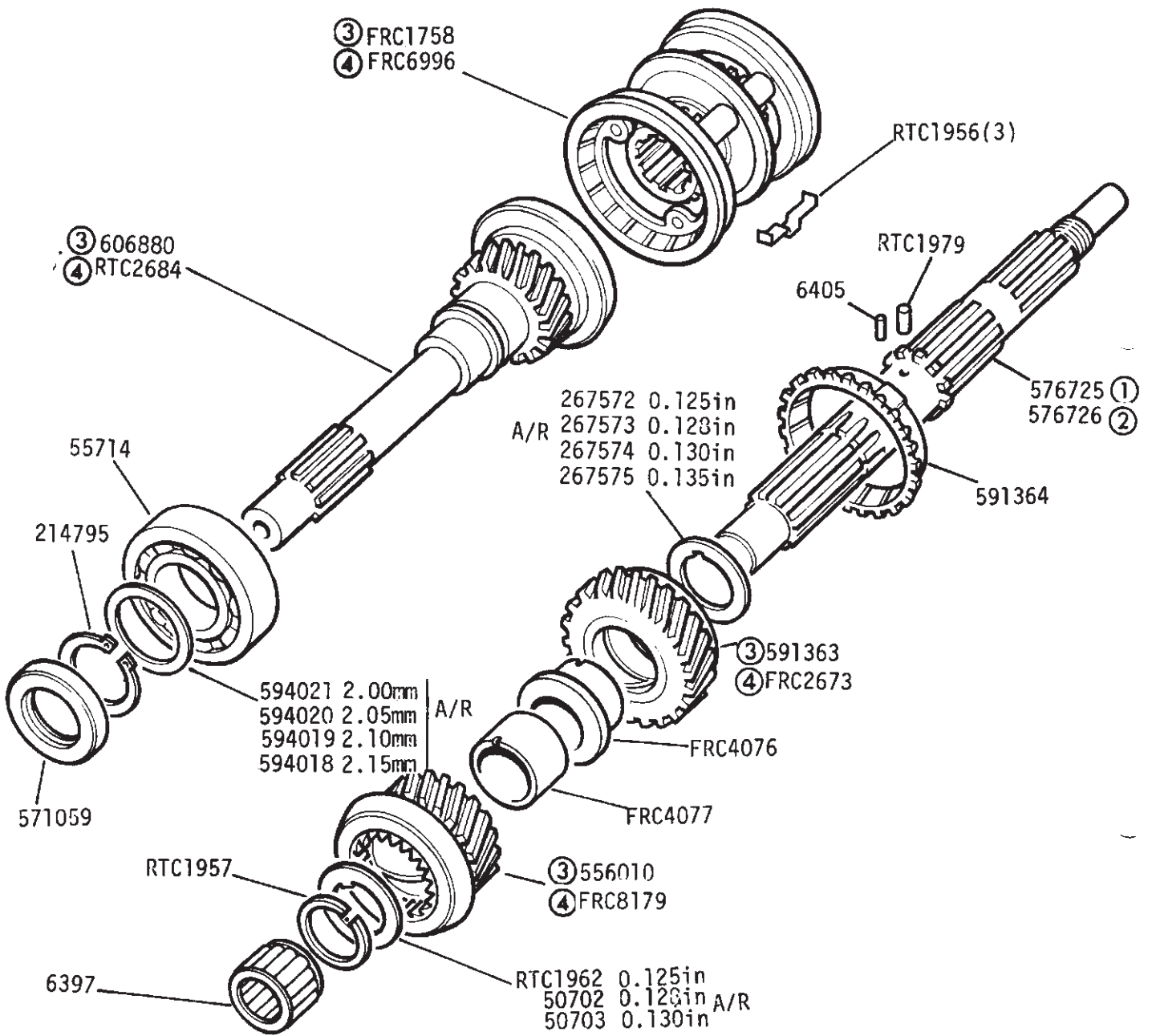


GROUP D
 GEARBOX - Main casing - Except 109 V8



- ① Gearbox suffix A
- ② Gearbox suffix B onwards
- ③ Also use FRC3776 Joint Washer
- ④ Up to gearbox number 36133482D, 90121577D
- ⑤ From gearbox number 36133483D, 90121578D

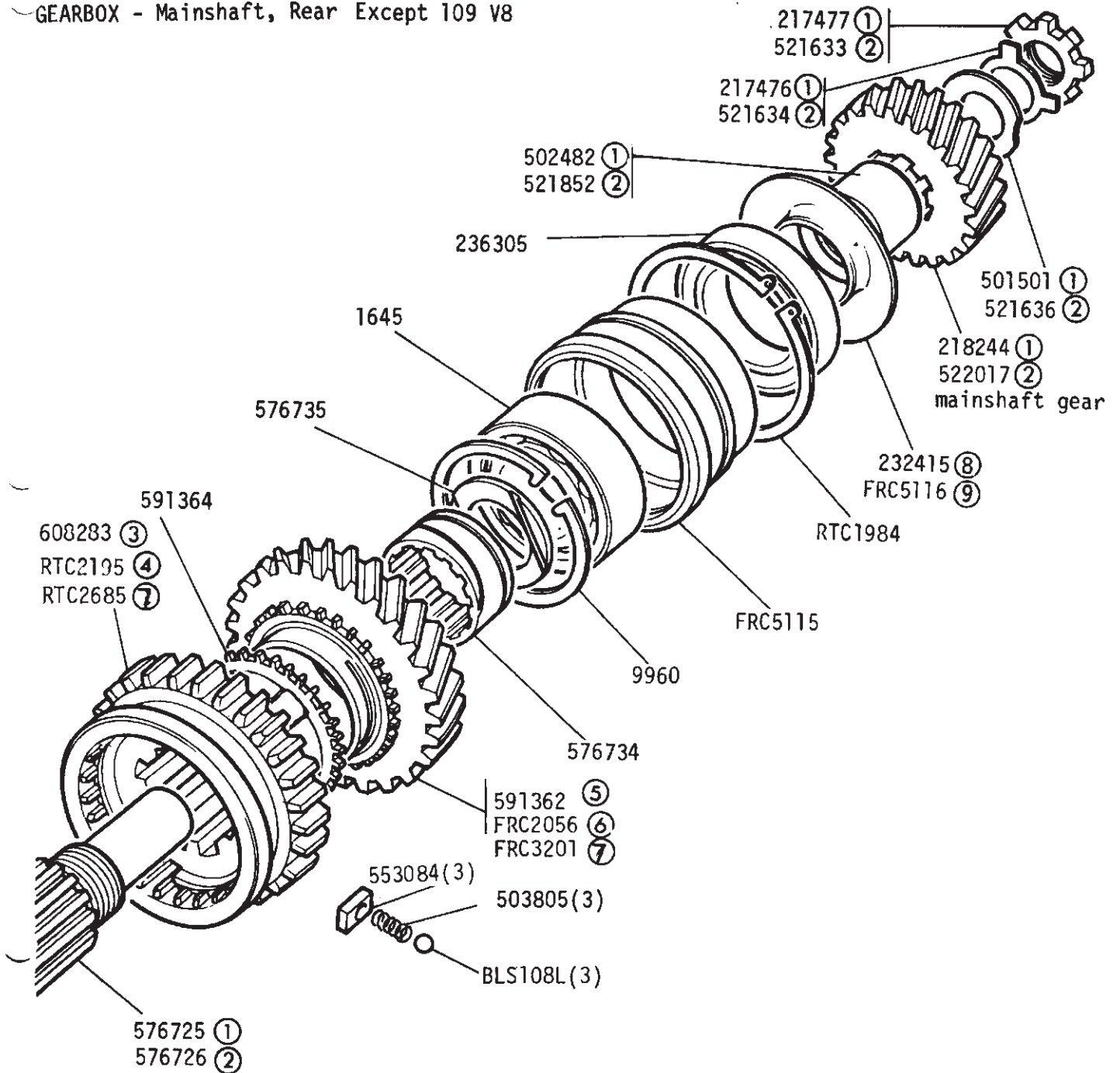
GROUP D
 GEARBOX - Primary pinion and mainshaft, front Except 109 V8



- ① Except 1 ton
- ② 109 1 ton Optional on all other models
- ③ Up to gearbox Suffix 'C' inclusive
- ④ From gearbox Suffix 'D' onwards

GROUP D

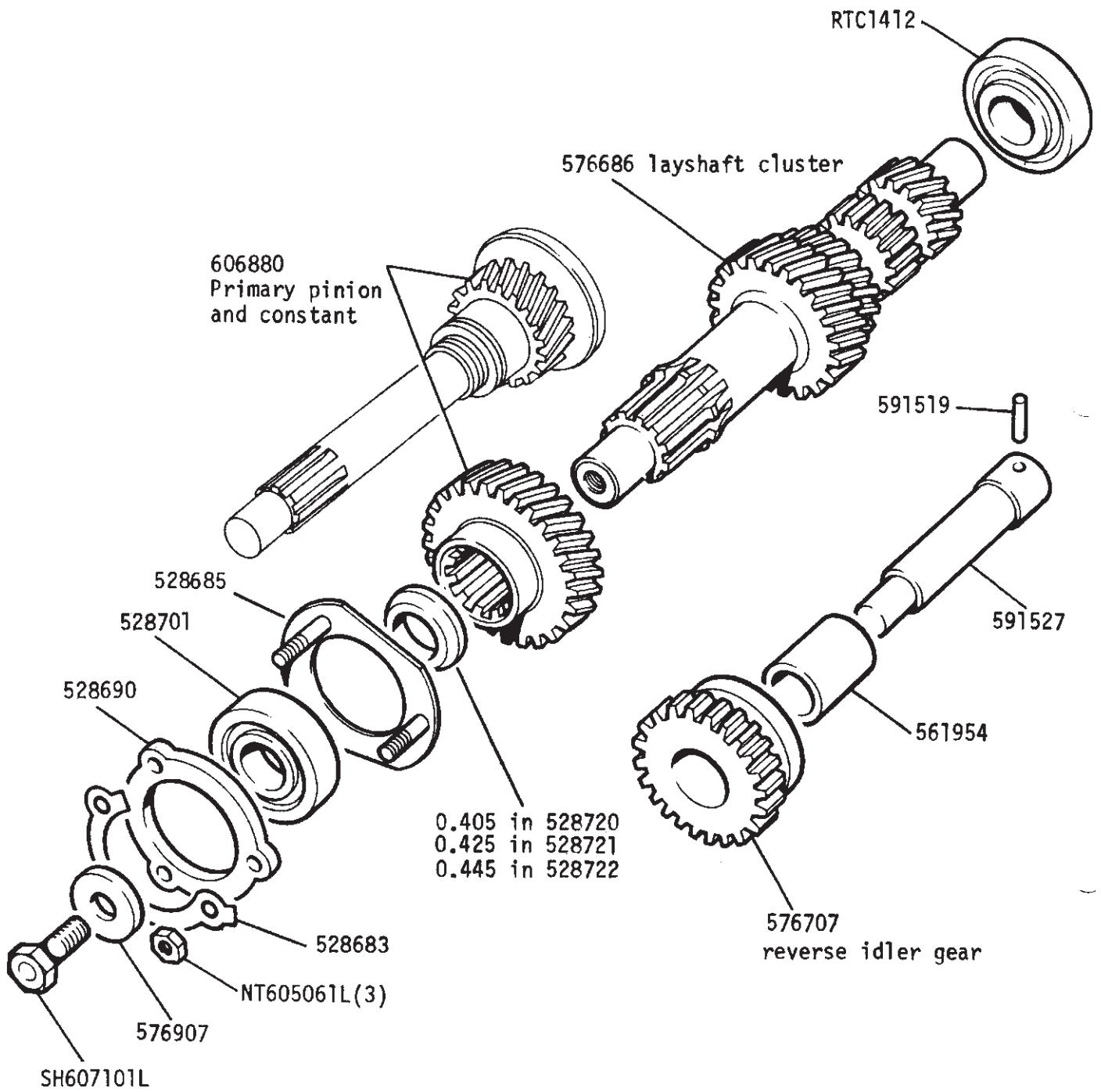
GEARBOX - Mainshaft, Rear Except 109 V8



- | | |
|---|----------------------------------|
| ① Except 1 Ton | ⑧ Use with Transfer Case 539787 |
| ② 109 1 Ton, Optional on all other models | ⑨ Use with Transfer Case FRC5567 |
| ③ Gearbox suffix 'M' | |
| ④ Gearbox suffix B and C inclusive | |
| ⑤ Gearbox Suffix "A" and "B" inclusive | |
| ⑥ Gearbox Suffix 'C' only | |
| ⑦ From Gearbox Suffix "D" onwards | |

GROUP D

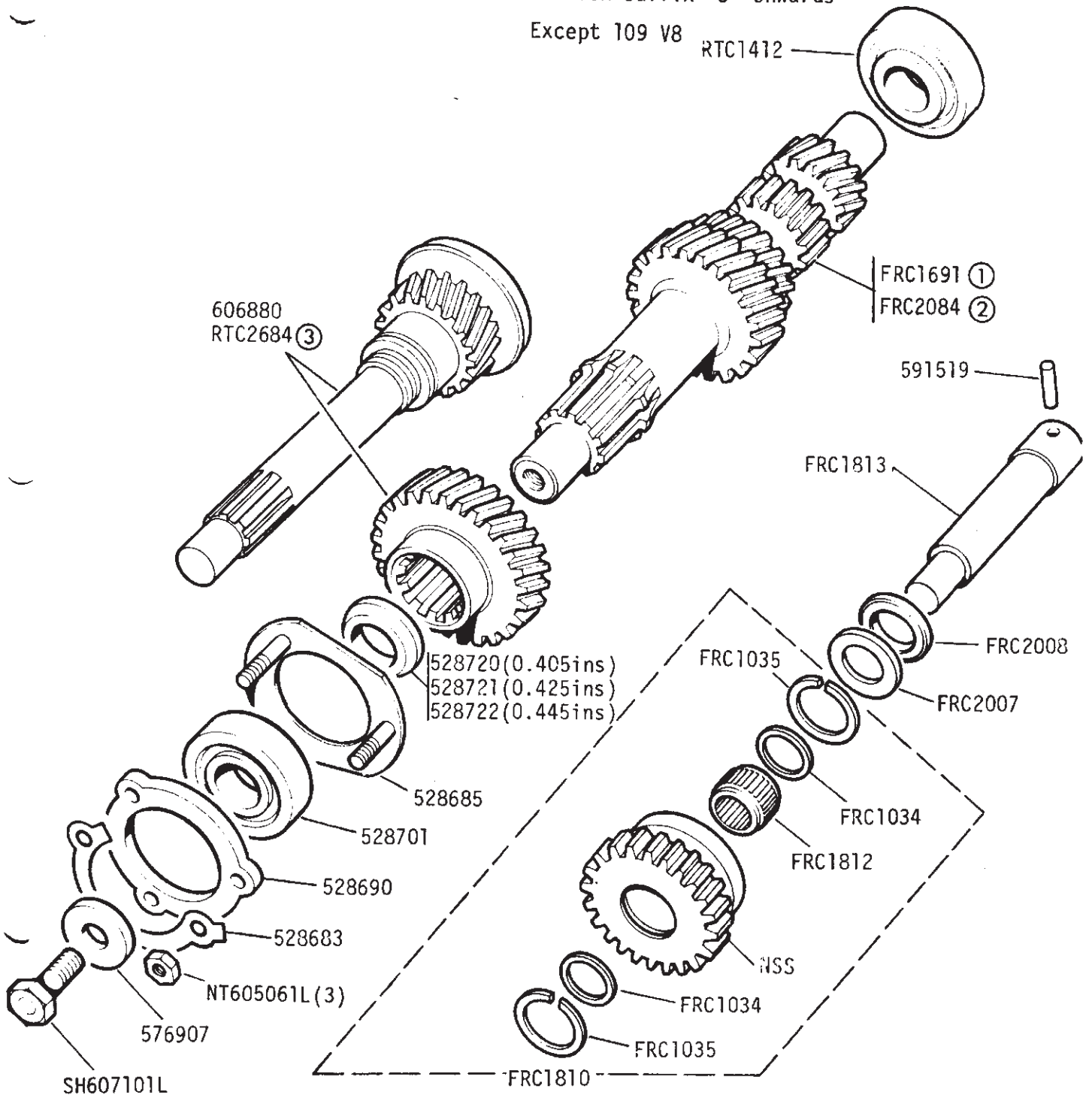
GEARBOX - Layshaft Gears and Reverse - Gearbox Suffix 'A' Except 109 V8



GROUP D

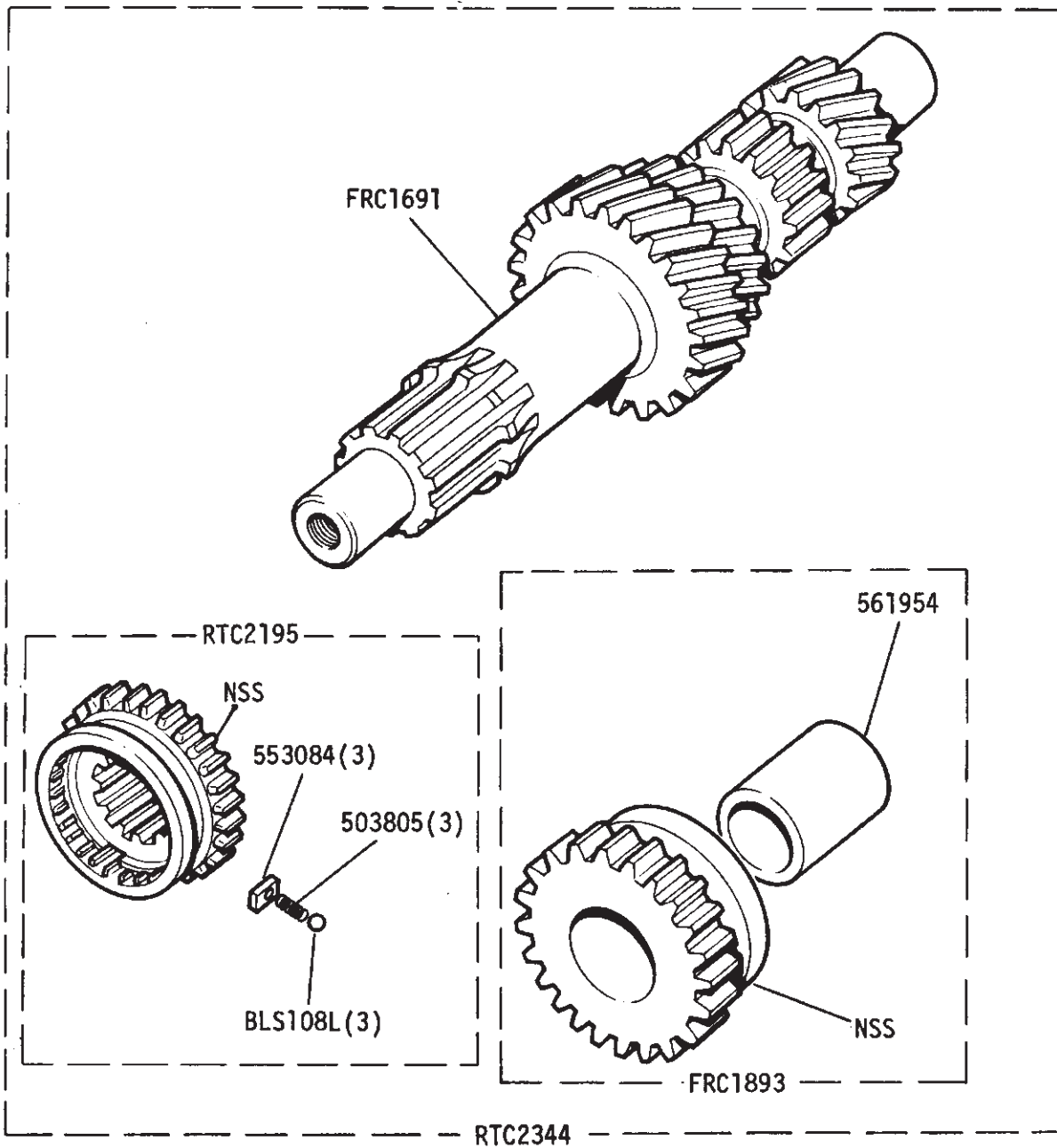
GEARBOX - Layshaft Gears and Reverse from Gearbox Suffix 'B' onwards

Except 109 V8



- ① Gearbox Suffix 'B'
- ② From Gearbox Suffix 'C' onwards
- ③ From gearbox suffix 'D' onwards.

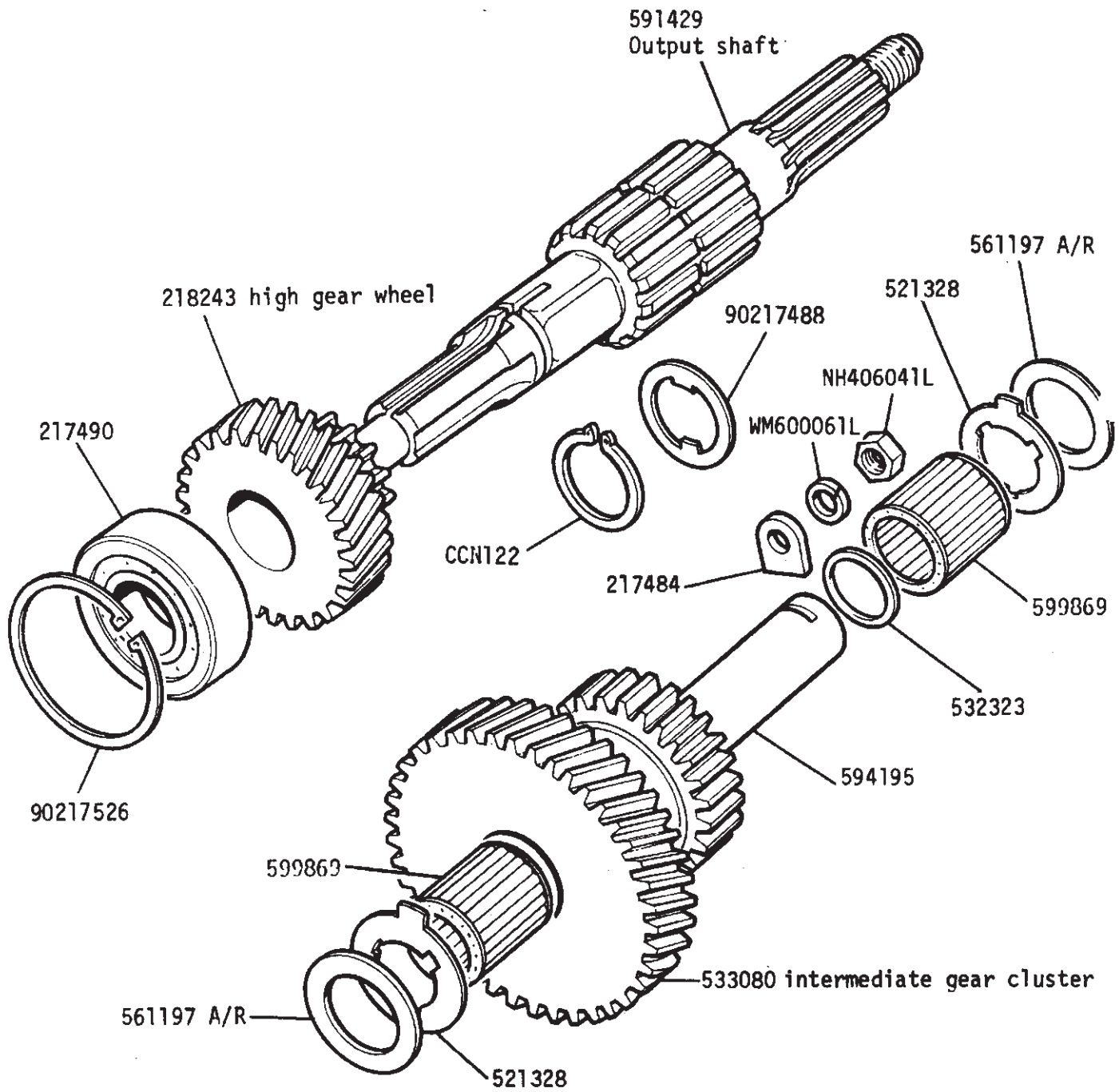
GROUP D
GEARBOX - Reverse gear modification kit Except 109 V8



Reverse gear modification kit RTC2344 for use in gear boxes numbered up to suffix 'A'

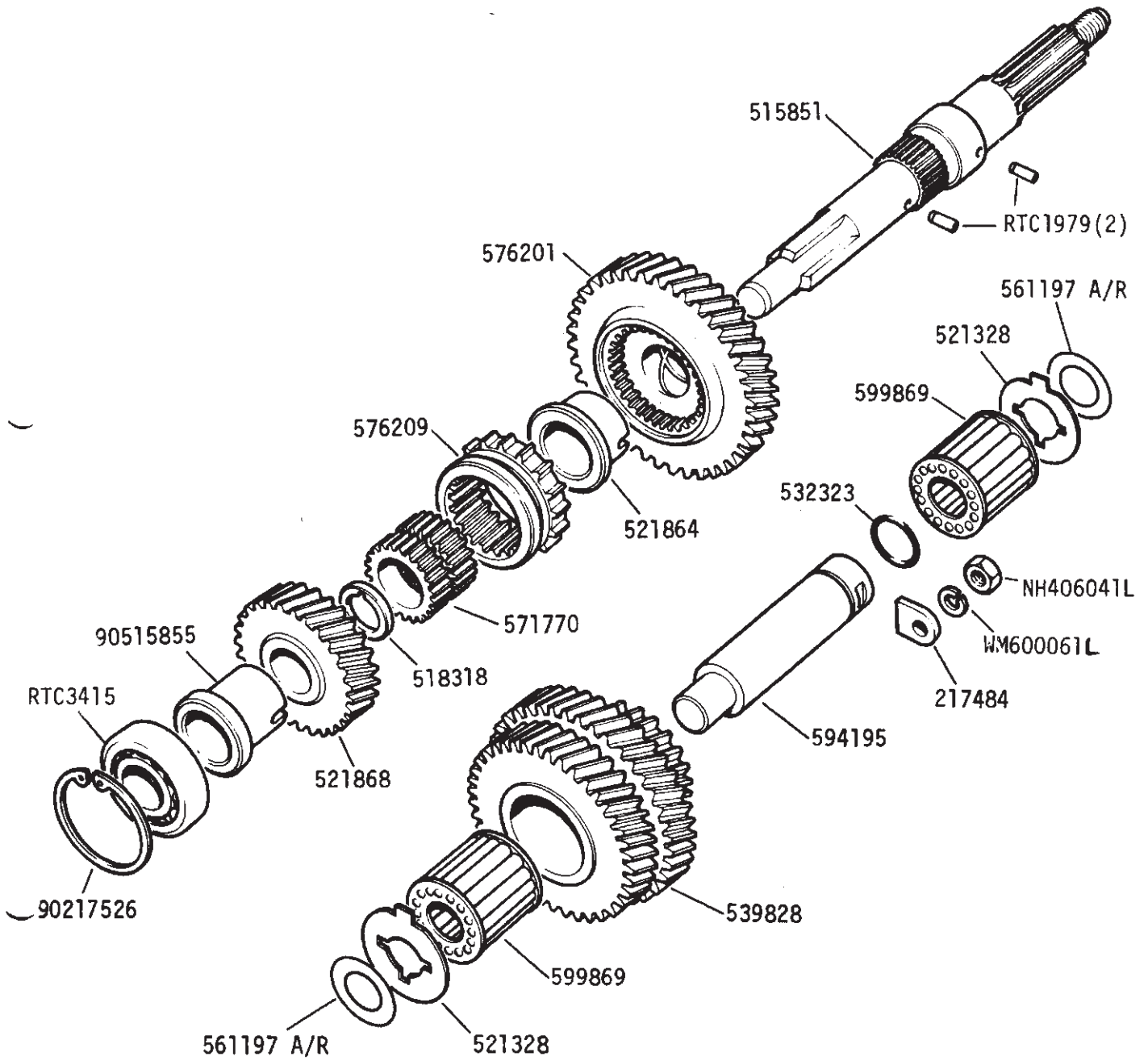
GROUP D

GEARBOX - Intermediate and High Gear Wheel - Except 1 Ton Models and 109 V8



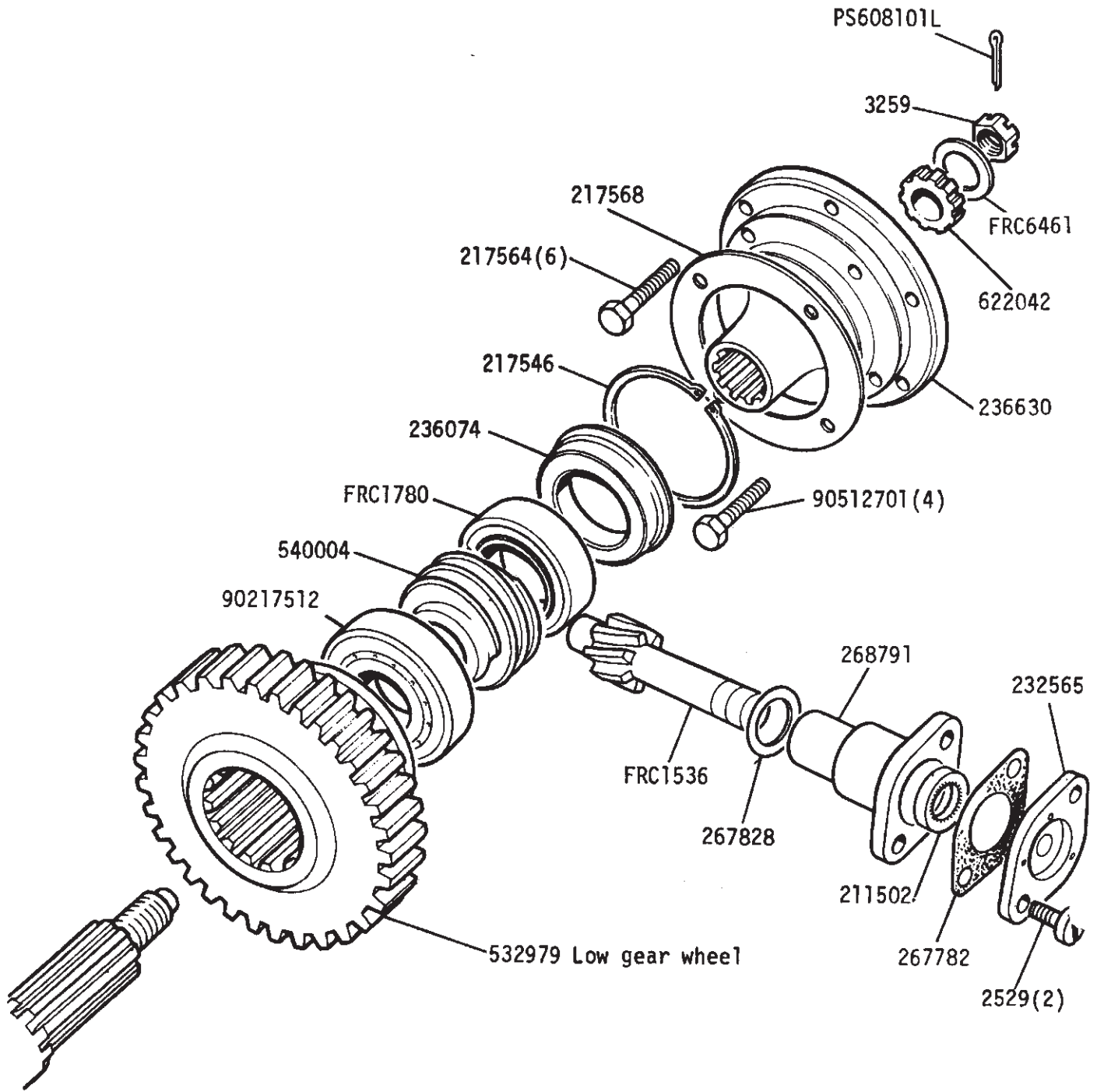
GROUP D

ARBOX, Intermediate, high and low gear wheels 1 Ton models



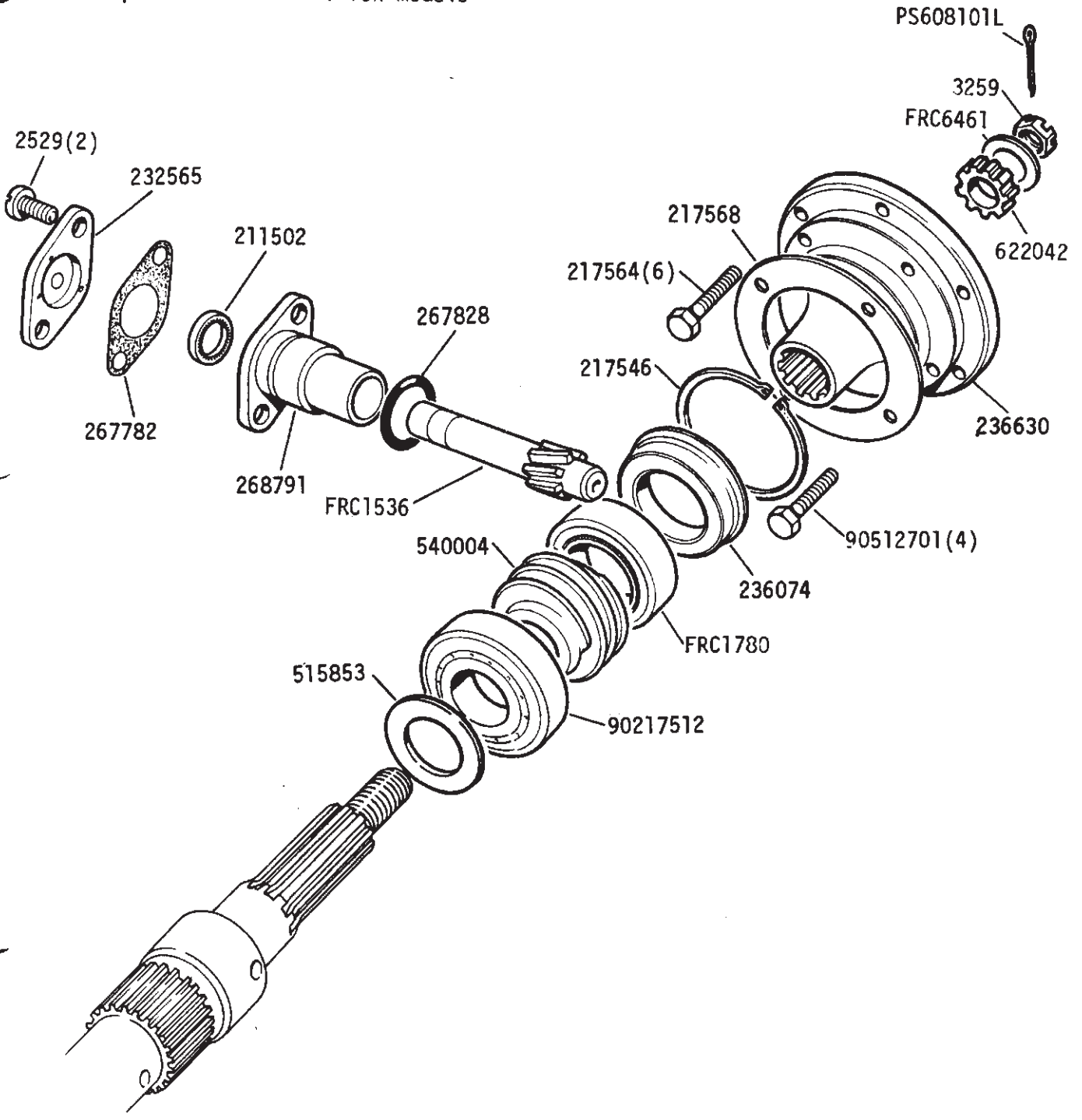
GROUP D

GEARBOX - Low Gear Wheel and Speedometer Drive - Except 1 Ton Models and 109 V8

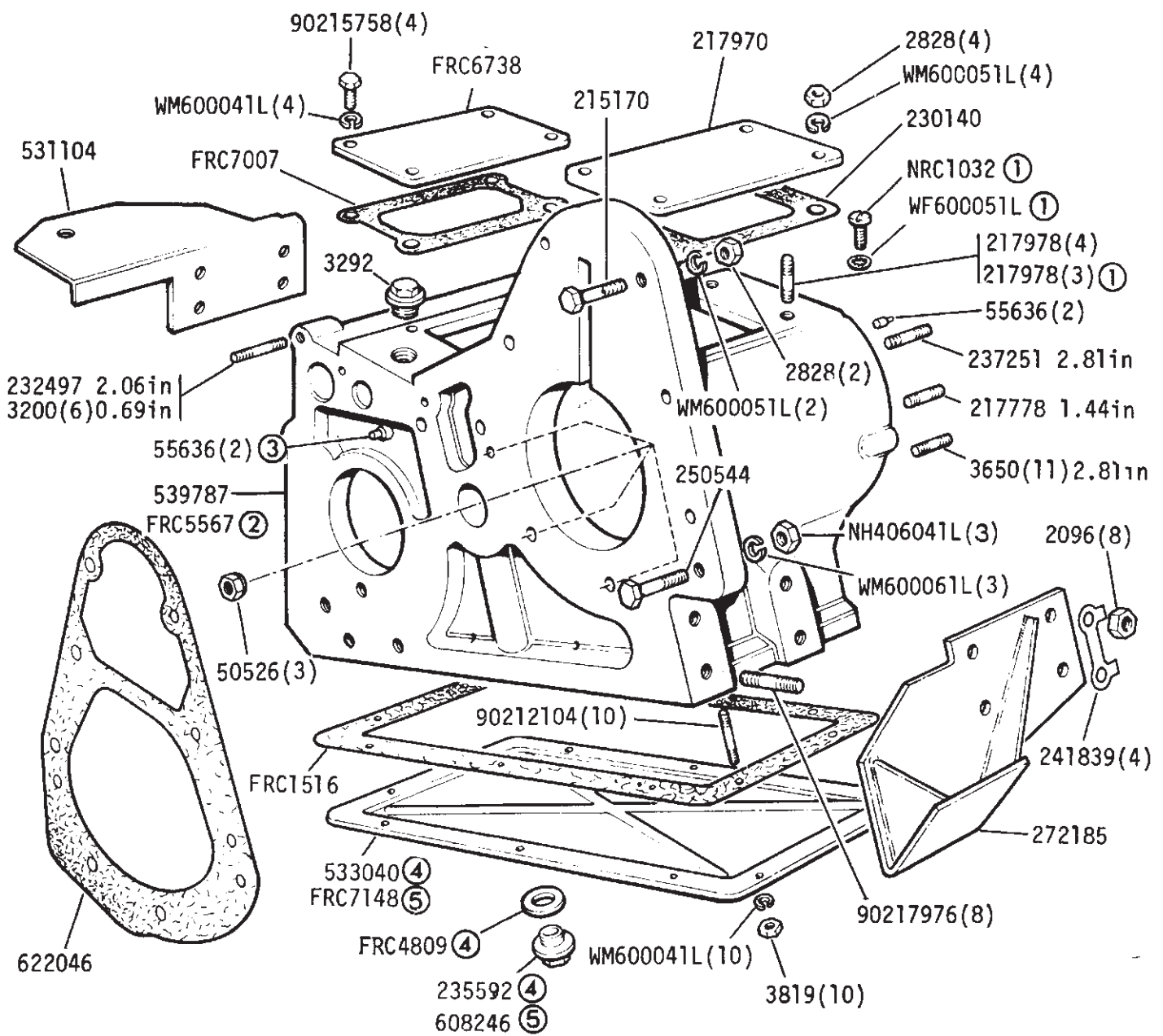


GROUP D

ARBOX - Speedometer drive 1 Ton models



GROUP D
 GEARBOX - Transfer Casing Except 109 V8

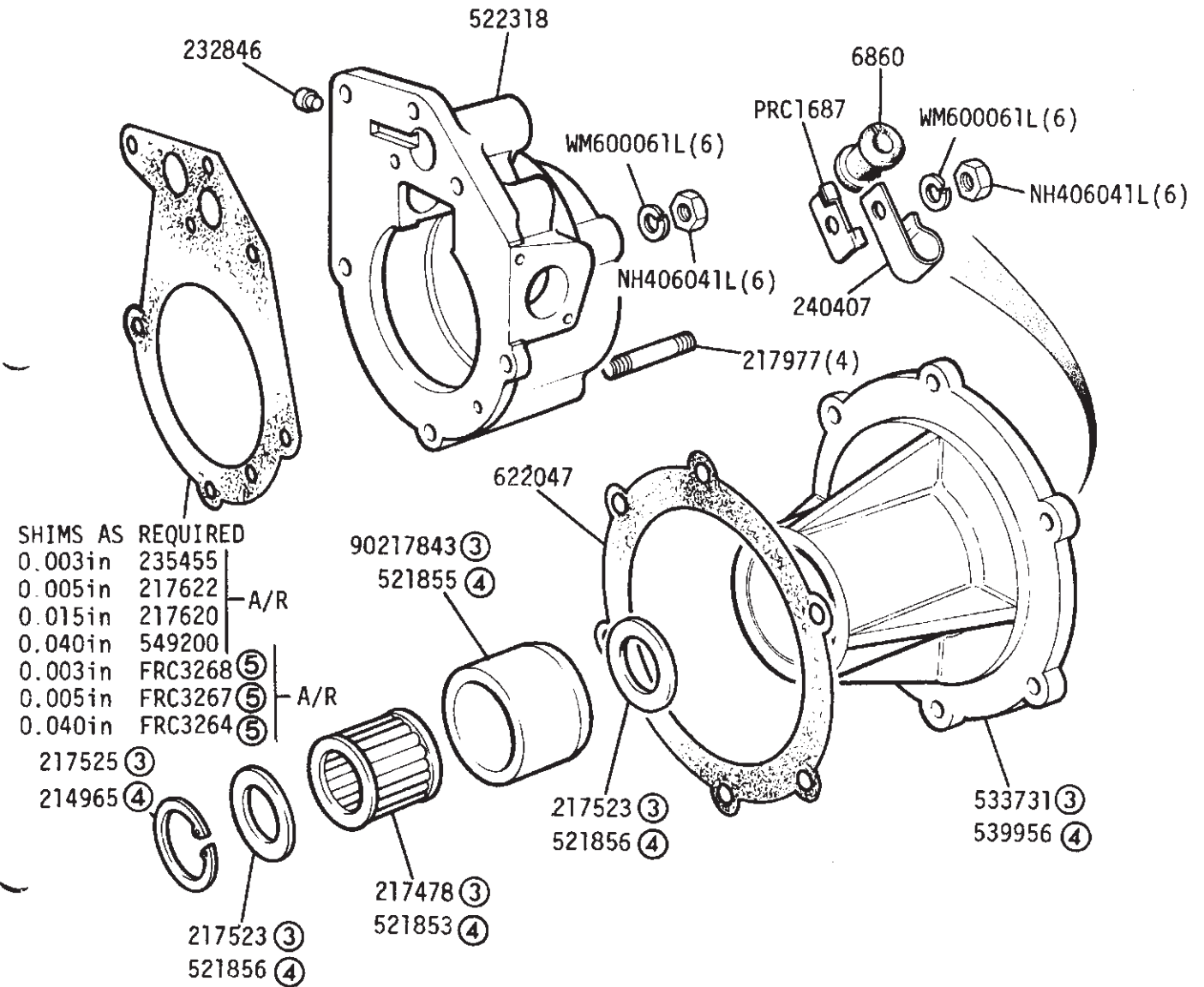


- ① Required when Centre and Rear Power Take Off is fitted
- ② From gearbox number 36117572D
- ③ Use one only with Transfer case FRC5567
- ④ Up to gearbox numbers 36133482D,90121577D
- ⑤ From gearbox numbers 36133483D,90121578D



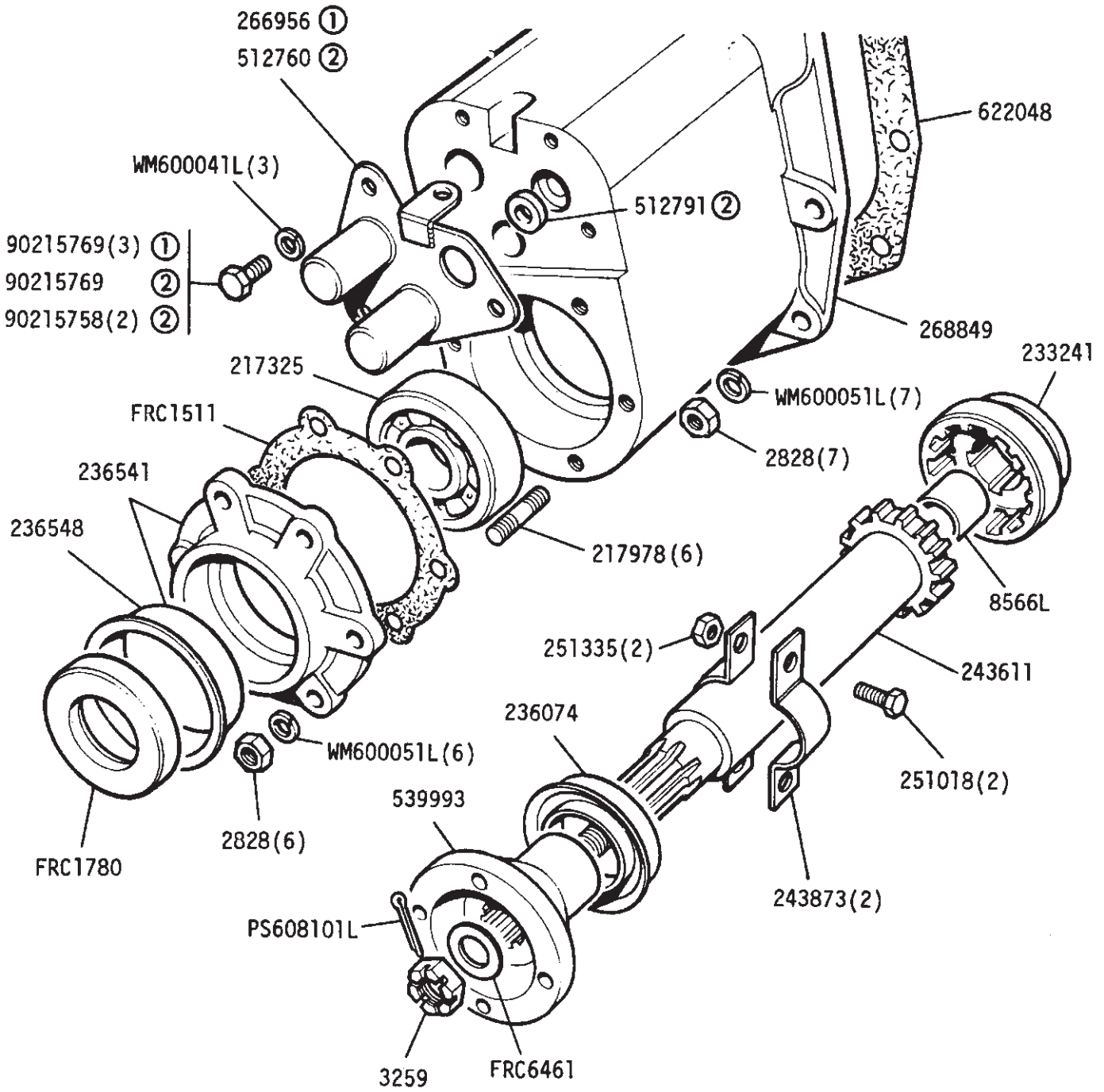
GROUP D

GEARBOX - Speedometer Pinion and rear mainshaft bearing Except 109 V8



- ① Rear Mainshaft Bearing Housing Assembly 230696 ③
- ② Rear Mainshaft Bearing Housing Assembly 521857 ④
- ③ Except 1 Ton
- ④ 109 1 Ton, Optional on all Other Models
- ⑤ Gearbox prefix 991 only

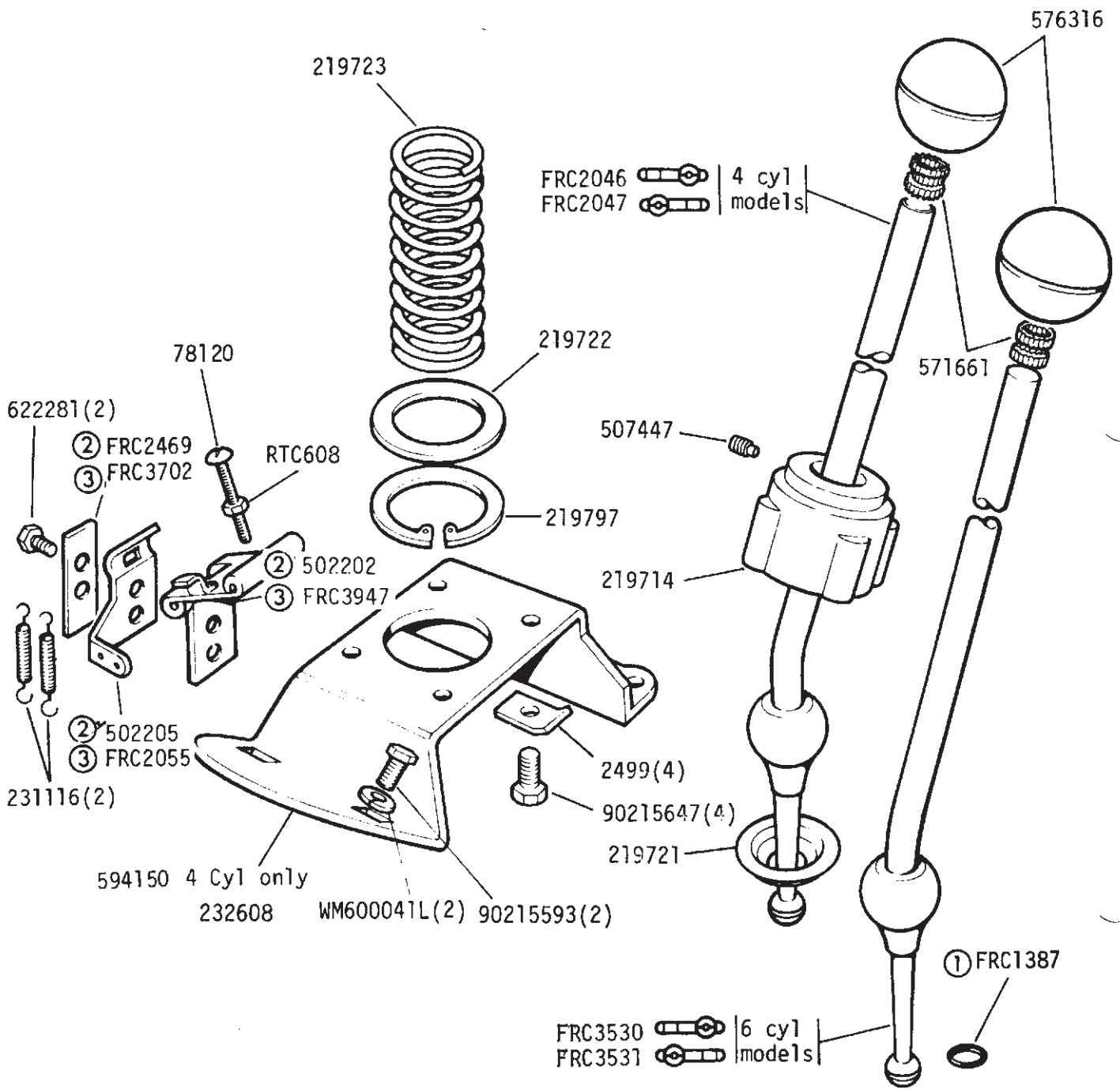
GEARBOX - Front Output Shaft Housing Except 109 V8



① Except 1 Ton

② 109 1 Ton. Optional on all other models

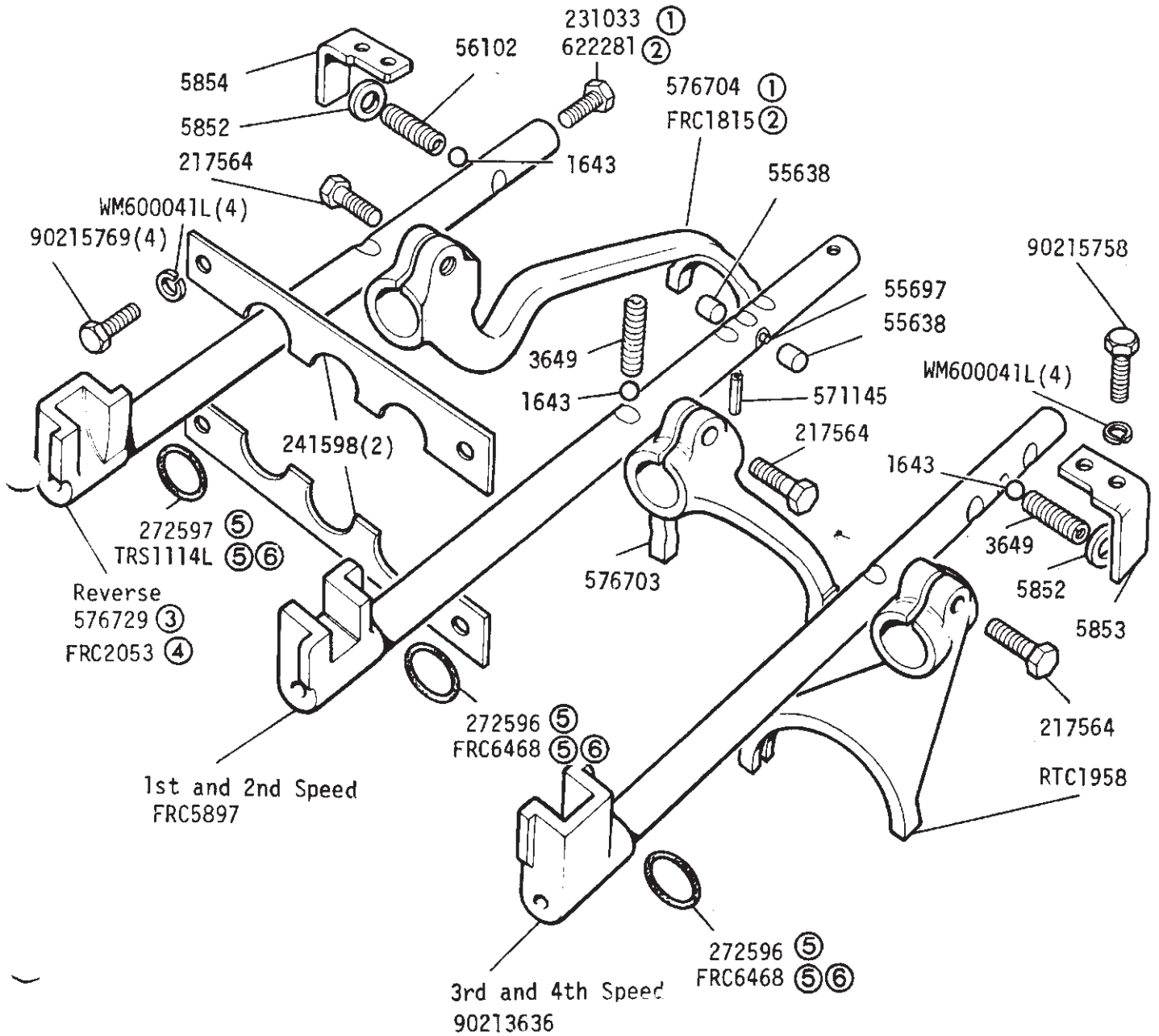
GROUP D
 GEARBOX - Main Gear Lever Except 109 V8



- ① Early models
- ② Up to gearbox numbers 24601113C, 90442230C, 94131535C
- ③ From gearbox numbers 24601114C, 90442281C, 94131536C

GROUP D

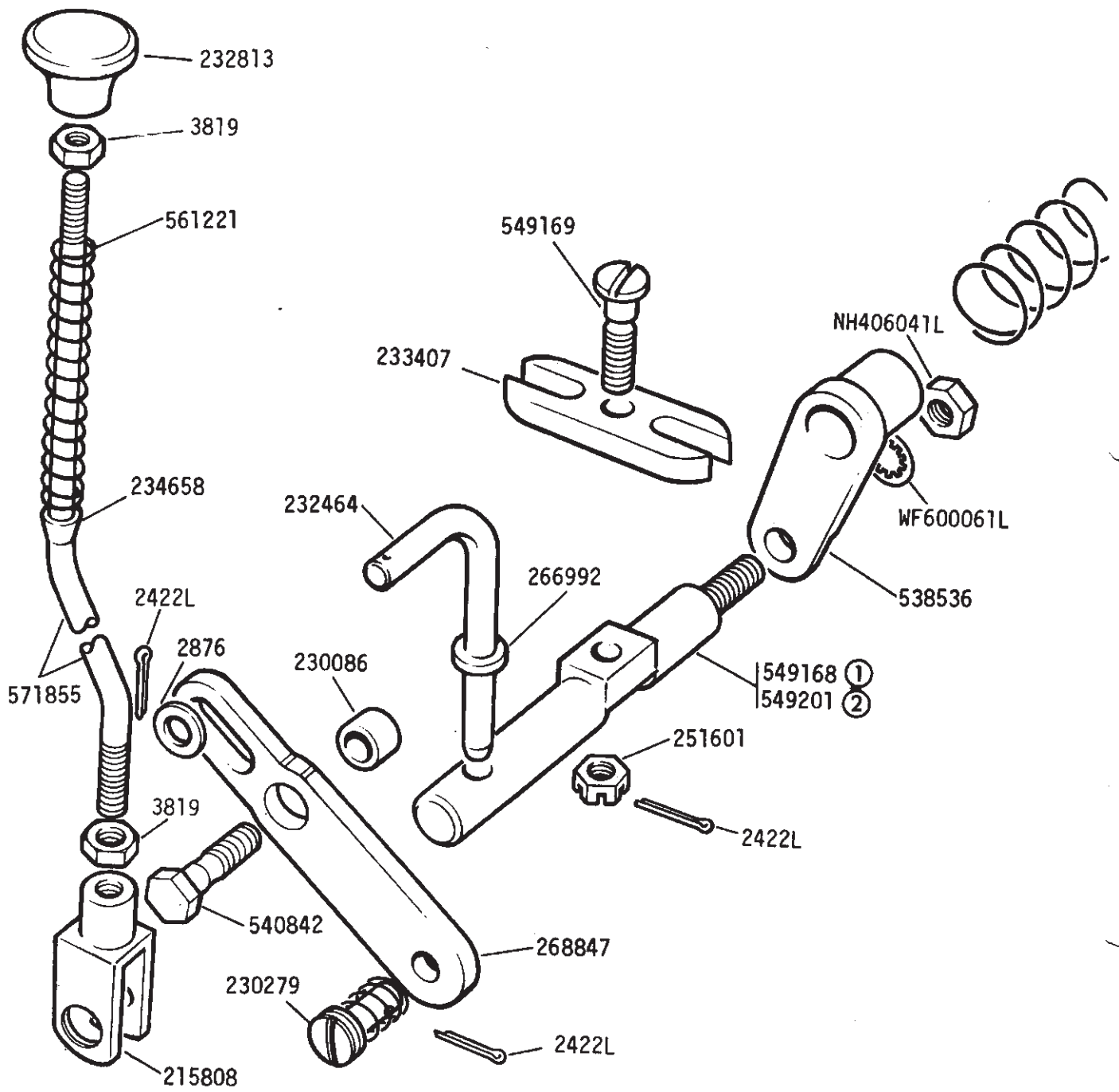
GEARBOX - Selectors and Levers Except 109 V8



- ① Gearbox Suffix A
- ② From Gearbox Suffix B onwards
- ③ Up to September 1979
- ④ From October 1979 onwards
- ⑤ Alternatives but must be used as a complete set
- ⑥ Also use washer FRC6938

GROUP D

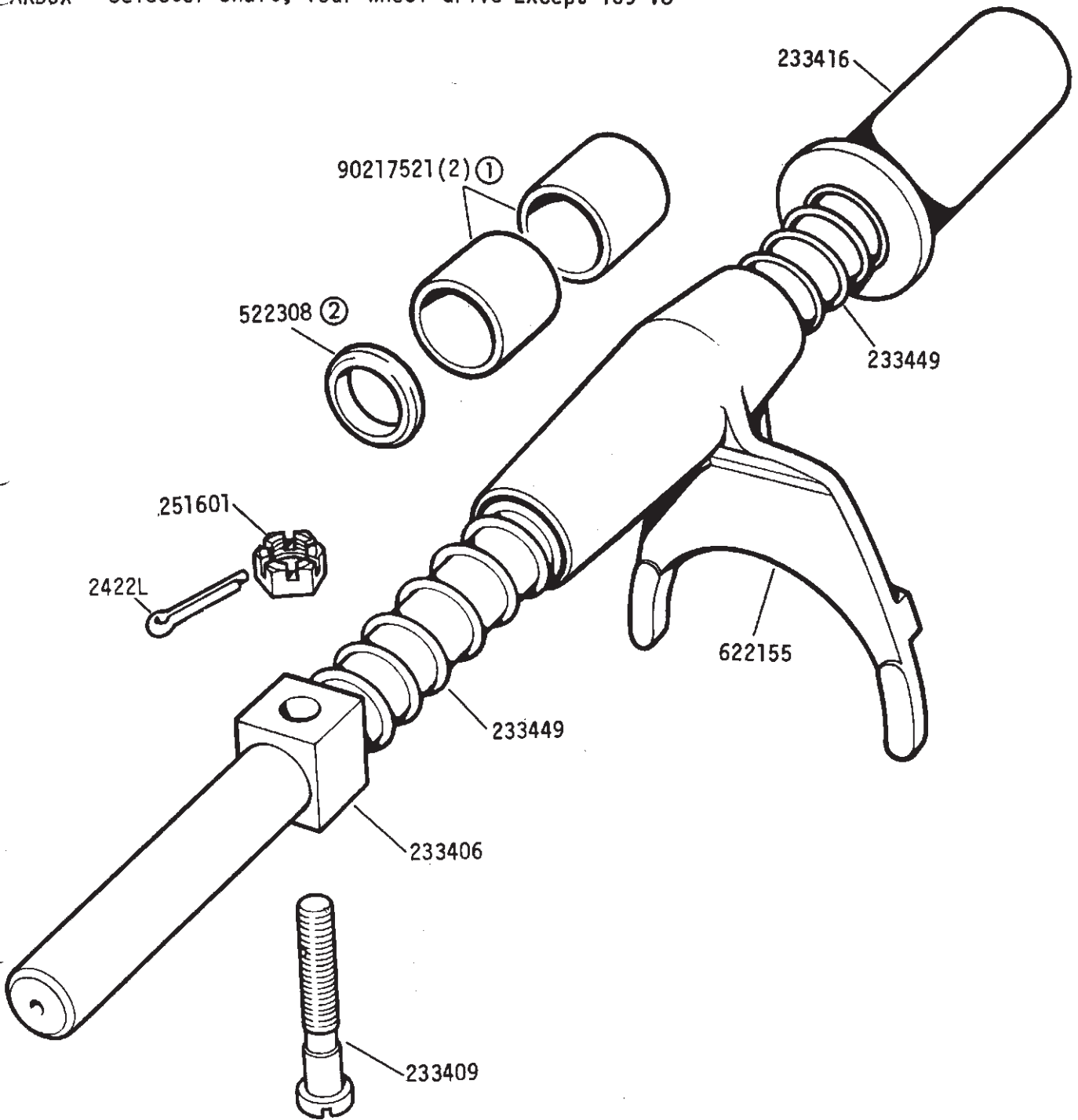
GEARBOX - Selector rod, four wheel drive Except 109 V8



- ① Except 1 Ton
- ② 109 1 Ton. Optional on all other models

GROUP D

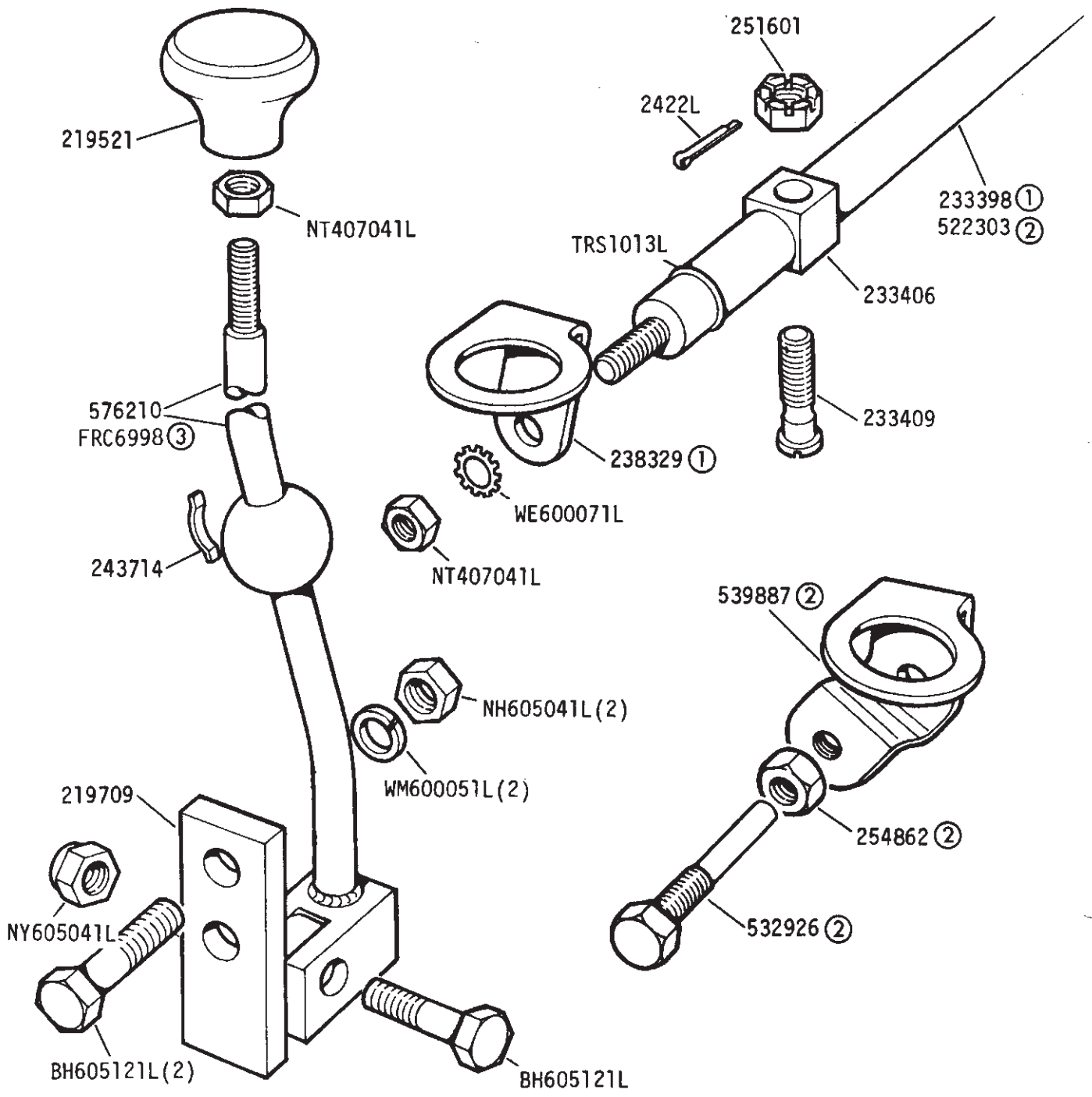
REARBOX - Selector shaft, four wheel drive Except 109 V8



① For use with early type selector fork with replaceable bushes

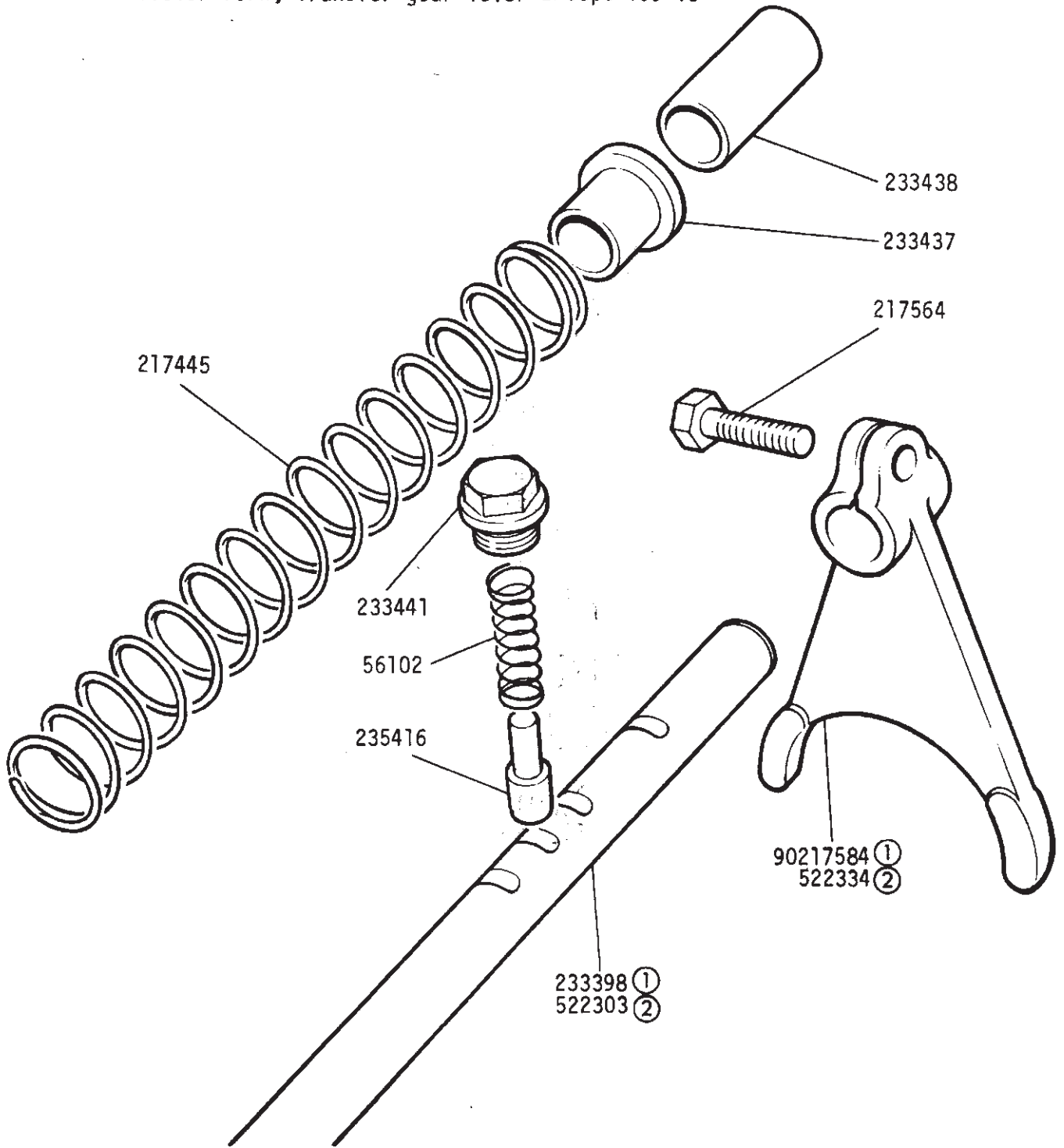
② 109 1 Ton only

GROUP D
 GEARBOX - Transfer gear change lever Except 109 V8



① Except 1 Ton
 ② 109" 1 Ton. Optional on all other models.
 ③ From gearbox 90499976D, 24601171D onwards.

GROUP D
 EARBOX - Selector fork, transfer gear lever Except 109 V8



- ① Except 1 Ton
- ② 109 1 Ton, Optional on all other models