

J5537M

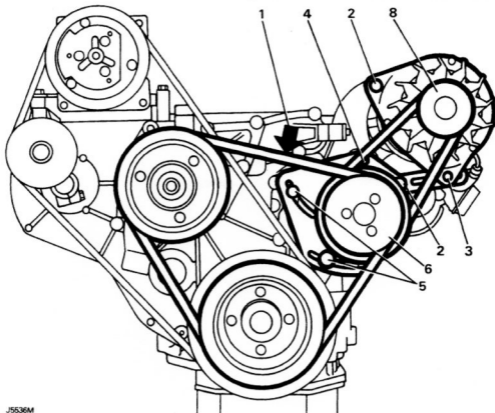
**200Tdi ALTERNATOR DRIVEBELT:****Check and adjust**

1. Check the alternator drivebelt tension at the point shown. If it is correct, ignore the following items.
2. Slacken the front and rear alternator mounting bolts and the adjustment link bolt at the power steering pump plate.
3. Slacken the adjustment link clamp bolt at the alternator.

4. Move the alternator to correct the drivebelt tension.

**NOTE: DO NOT lever against the alternator slip ring end or the stator to move the alternator.**

5. Tighten the adjustment link clamp bolt and re-check the belt tension. If it is correct, tighten the mounting bolts at the alternator.



J5536M

### 200Tdi WATER PUMP/POWER STEERING DRIVEBELT:

#### Check and adjust

1. Check the tension of the drivebelt at the point shown. If it is correct ignore the following items.
2. Slacken the front and rear alternator mounting bolts and adjustment link mounting bolt at the power steering pump plate.
3. Slacken the adjustment link clamp bolt at the alternator.
4. Slacken the mounting bolt at the power steering pump plate.
5. Slacken the clamp bolts at the power steering pump plate.

6. Move the power steering pump in or out as required to correct the belt tension.

**NOTE: DO NOT lever against the pump body to move it.**

7. Tighten the clamp bolts and mounting bolt at the power steering pump plate and re-check the belt tension. Slacken the pump plate bolts and re-tension if necessary.
8. The alternator drivebelt tension must be adjusted after this operation. Refer to "200Tdi Alternator Drivebelt: Check and adjust".